



330-477-7719

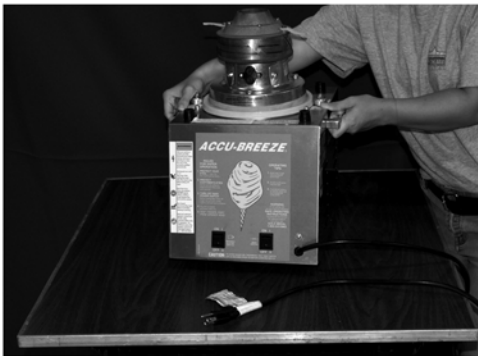
1-800-686-4331

Pager 330-966-4308

www.cantonchairrental.com



Customer Instructions for ACCU- BREEZE Cotton Candy Maker



①

The base unit should be placed on a sturdy, level work surface.

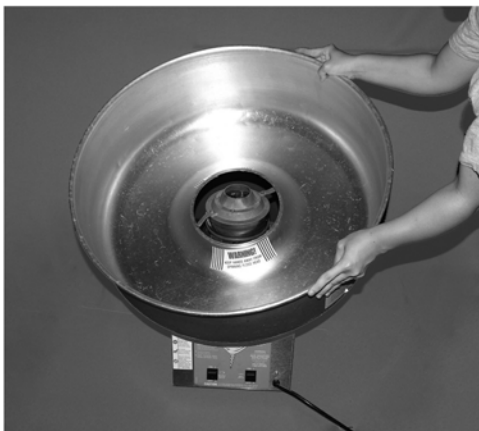
THIS MACHINE REQUIRES A 15 AMP, 120 VOLT, 60 CYCLE ELECTRICAL OUTLET DEDICATED TO THIS MACHINE ALONE. THE POWER CORD IS EQUIPPED WITH A MACHINE GROUND. FOR SAFETY, ALWAYS PLUG THE MACHINE INTO A GROUNDED RECEPTICAL. USE OF AN EXTENTION CORD IS NOT RECOMENDED.



②

Loosen and push down the transport screws. If this step is not taken the floss pan will not rest properly on the base unit.

	⚠ DANGER
	Machine must be properly grounded to prevent electrical shock to personnel. Do NOT immerse the equipment in water. Always unplug the equipment before cleaning or servicing.



③

Place the floss pan onto the base unit so that the spinner head is centered in the hole in the floss pan.

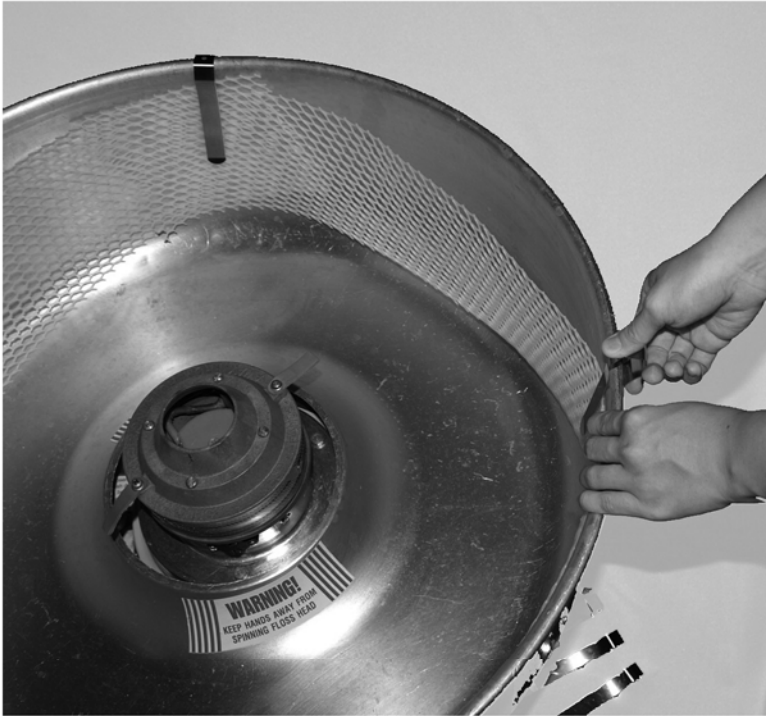


④

The floss pan will simply rest on the four rubber pegs located on the four corners of the base unit.

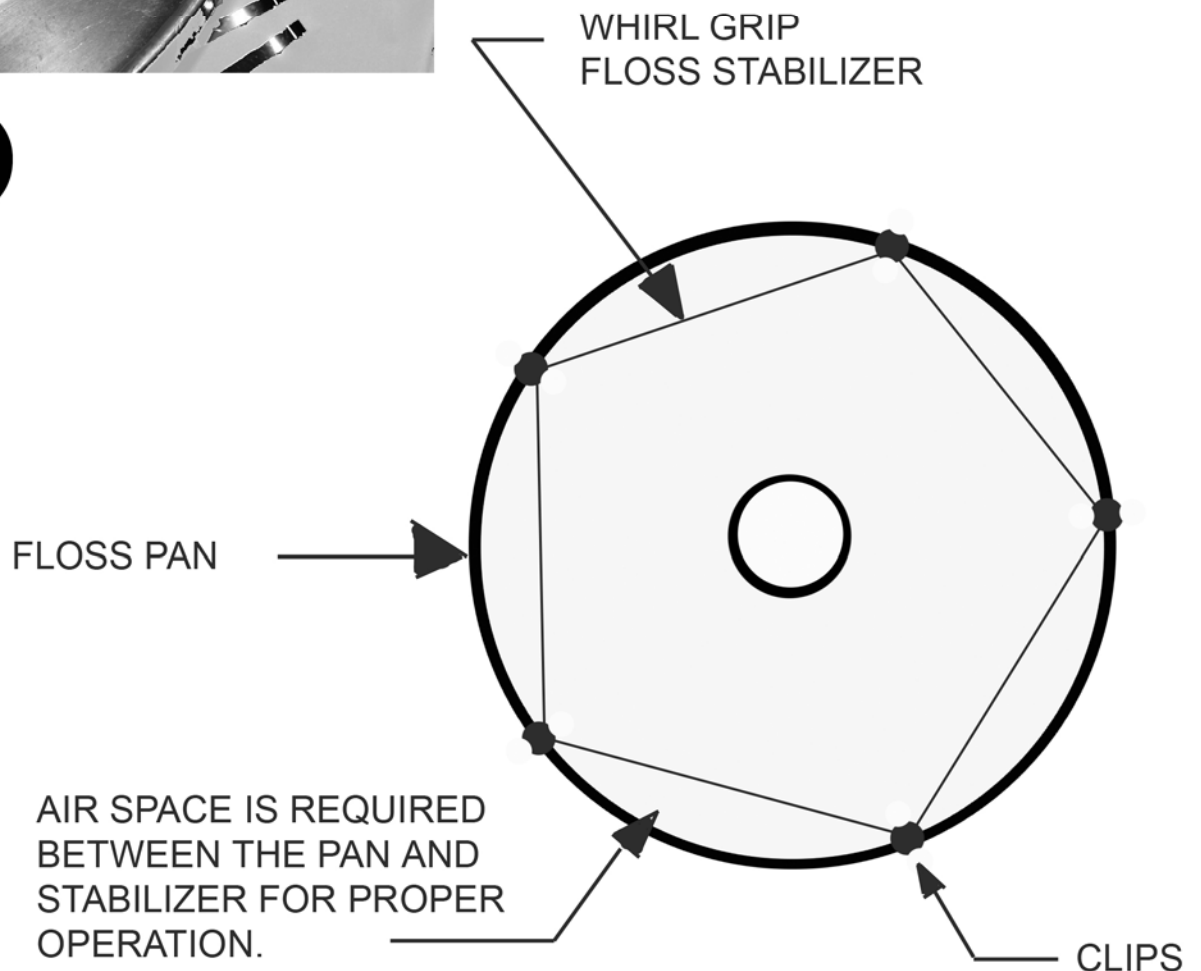


INSTALLATION OF FLOSS STABILIZER



Using the five metal clips provided, attach the plastic mesh stabilizer to the inside of the floss pan. Pull the mesh gently to create a space between the mesh and the pan

5





⑥

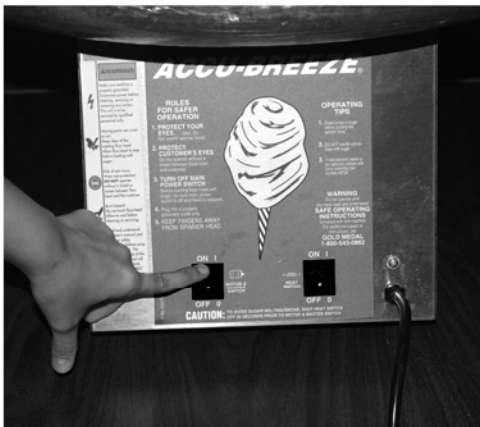
Place the clear plastic bubble shield on top of the floss pan.



⑦

Add sugar to the center of the floss head. Always fill it 90% full to obtain a balanced condition in the head, and eliminate excessive vibration.

DO NOT ADD SUGAR WITH THE MOTOR RUNNING.



⑧

BEFORE TURNING THE MACHINE OFF, LET THE FLOSS HEAD CONTINUE TO SPIN UNTIL IT IS COMPLETELY OUT OF SUGAR, THEN TURN THE HEAT SWITCH OFF 30 SECONDS PRIOR TO THE MOTOR AND MASTER SWITCH TO AVOID MELTING ANY REMAINING SUGAR RESIDUE.

Turn on BOTH of the control switches. First the motor & master switch, and then the heat switch. A short time after the floss head begins to spin and heat up sugar will begin to spin off and collect on the floss stabilizer and floss pan.

Refer to the following page **STEP ⑨** for the best way to collect the spun cotton candy

IMPORTANT!!! We can always be reached to assist you!

**If you have reviewed all of the above suggestions, and you are still not getting satisfactory results, you must contact Canton Chair Rental immediately.

If it is during business hours, please call our direct line at 330-477-7719 or 1-800-686-4331. If it is after hours, on the weekend, or a holiday, please dial our pager number at 330-966-4308.

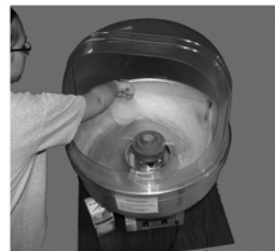
After the message, punch in the phone number that you can be reached at. Someone will return your call shortly.

If you are having a problem with the machine, and you do not contact us immediately, we will be unable to adjust your invoice after the fact.

Thank You for your Continued Patronage,
Staff at Canton Chair Rental



⑨ Making Floss



Pick a cone; if it sticks in the stack of cones, twist it off the stack.



Hold an inch or two of the pointed end of the cone between two fingers and a thumb. With a light flicking action, roll cone in the web of floss building up in the pan. Lift the cone up with the ring of floss attached and rotate the cone to wrap the floss. **DO NOT** roll floss while the cone is inside the pan. This will pack the floss too tightly.

If the floss fails to stick to the cone, pass the cone near the spinner head to pick up a "starter" of melted sugar. Lift the cone out of the pan and wrap the floss with a "figure eight" movement of the hand. This leaves giant pockets and makes the final product appear larger. Make sure room humidity is not too high, or product will be "heavy".

1. Grip cone as shown.



2. Break into web of floss with the cone.



3. Wind the sugar onto the cone.



4. Lift web of floss from the pan and roll onto the cone.



5.



6.



7.



8.



Once you have the candy on the cone, If you wish, you can stage the candy in bags. Simply place a bag over the cotton candy, and pull it off of the cone and into the bag

- DO NOT PUT HANDS OR OBJECTS IN ROTATING SPINNER HEAD.
- DO NOT FILL SPINNER HEAD WITH SUGAR WHILE IT IS ROTATING.
- OPERATOR SHOULD WEAR EYE PROTECTION.
- DO NOT PUT HANDS NEAR ROTATING SPINNER HEAD.
- USE FLOSS CONE TO COLLECT COTTON CANDY.



⚠ WARNING

Floss head rotates at 3450 RPM. Operator must keep hands and face clear of the floss head and keep spectators at a reasonable distance.